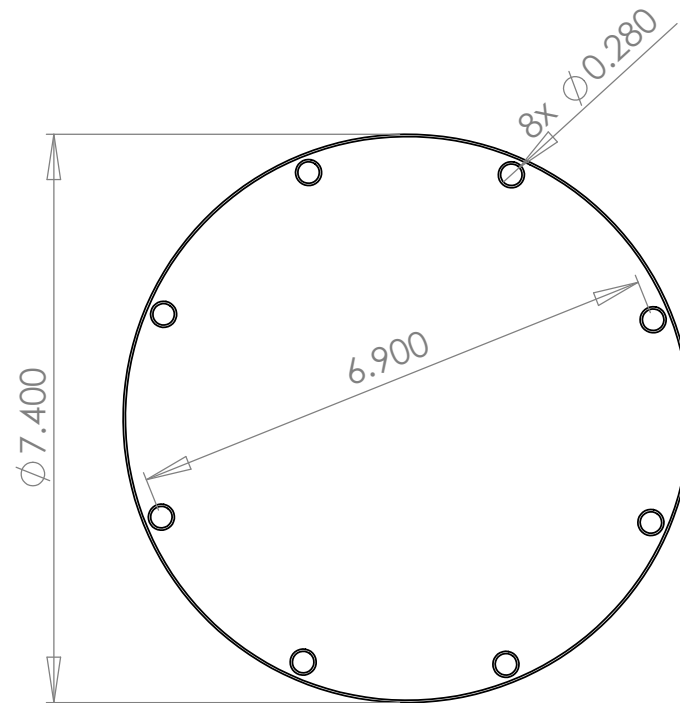
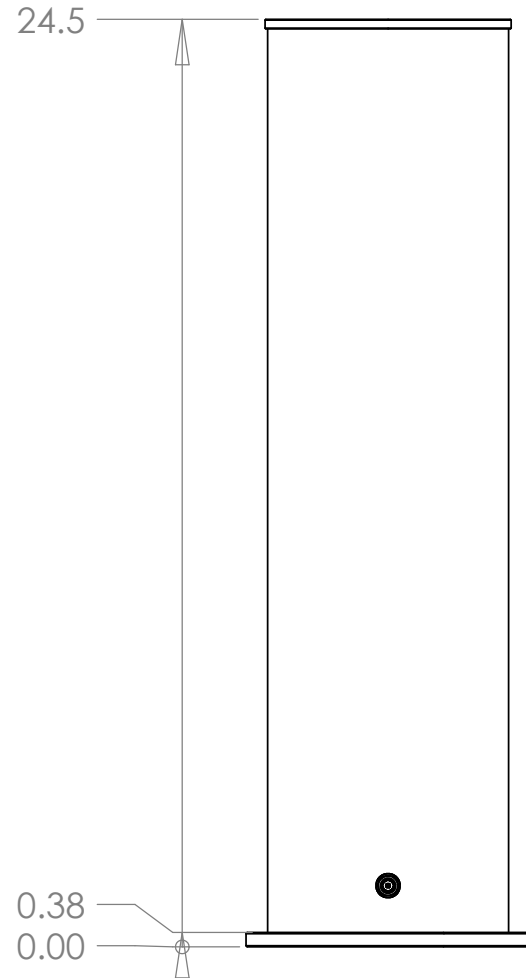
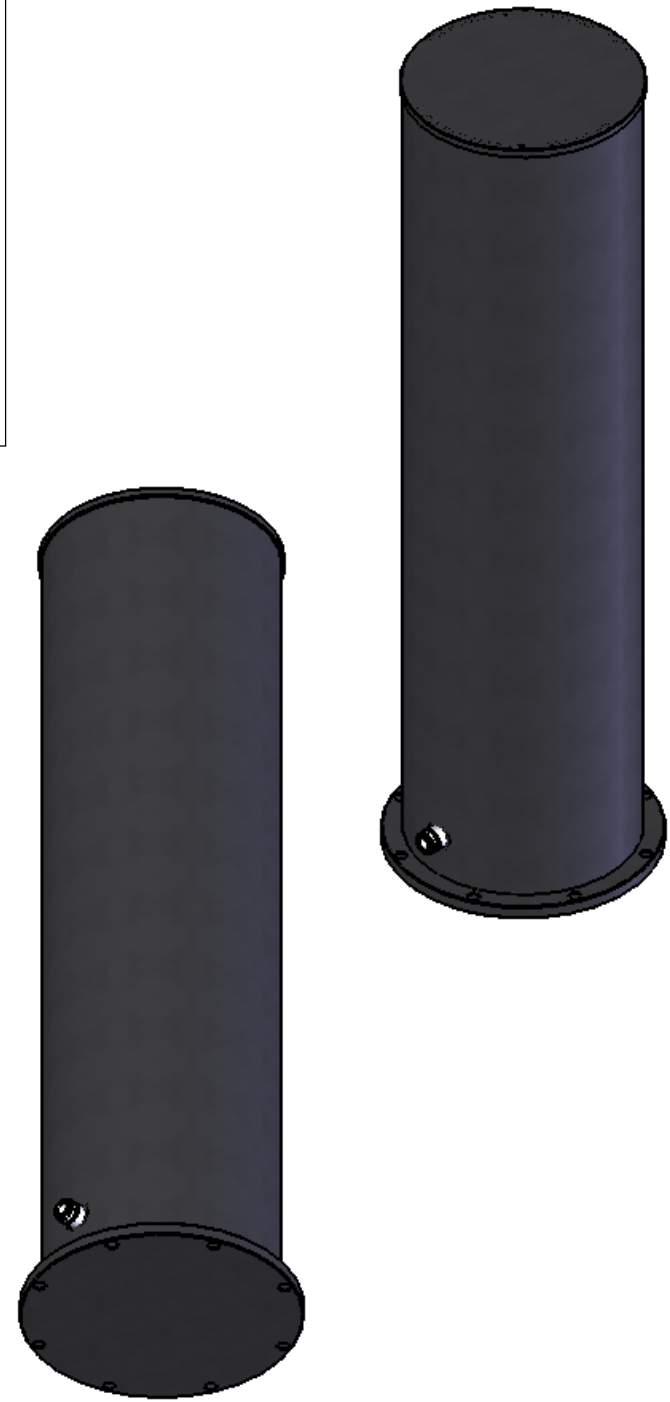
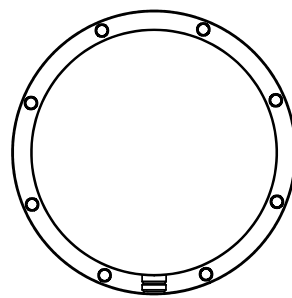


TAG	X LOC	Y LOC	Size
A1	3.173	-1.355	Ø 0.280
A2	1.285	-3.202	
A3	3.202	1.285	
A4	-1.355	-3.173	
A5	1.355	3.173	
A6	-3.202	-1.285	
A7	-1.285	3.202	
A8	-3.173	1.355	



Mounting Flange (Bottom View)

DETAIL B
SCALE 2 : 5



PROPRIETARY AND CONFIDENTIAL
THE INFORMATION CONTAINED IN THIS DRAWING IS THE SOLE PROPERTY OF MYERS ENGINEERING INTERNATIONAL, INC. ANY REPRODUCTION IN PART OR AS A WHOLE WITHOUT THE WRITTEN PERMISSION OF MYERS ENGINEERING INTERNATIONAL, INC. IS PROHIBITED.

		UNLESS OTHERWISE SPECIFIED:				NAME		DATE		MYERS ENGINEERING INTERNATIONAL, INC.	
		DIMENSIONS ARE IN INCHES		DRAWN		SLM		20120329		TITLE: UC-1374-531 / UC-1464-531	
		TOLERANCES: ±0.10		CHECKED		SLM		20120405			
		FRACTIONAL ±1/64		ENG APPR.		SLM		20120405			
		ANGULAR: MACH ± BEND ±		MFG APPR.							
		TWO PLACE DECIMAL ±0.030		Q.A.						SIZE DWG. NO. REV B UC-1374-531 NR	
		THREE PLACE DECIMAL ±0.005		COMMENTS:							
		INTERPRET GEOMETRIC TOLERANCING PER:		MATERIAL		PVC				SCALE: 1:2 WEIGHT: SHEET 1 OF 1	
		MATERIAL		FINISH		Painted Black					
NEXT ASSY		USED ON		APPLICATION		DO NOT SCALE DRAWING					